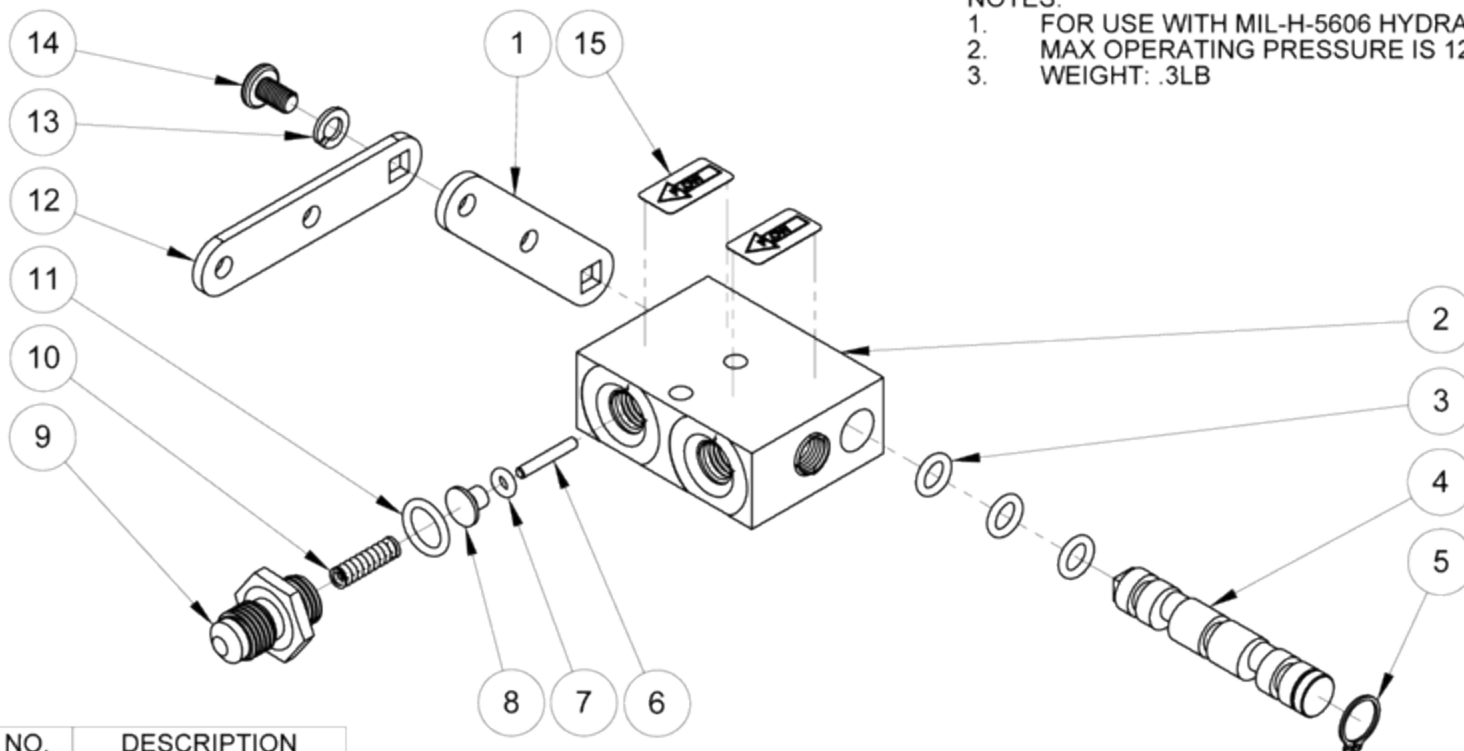


REVISIONS

| ZONE | REV. | DESCRIPTION     | DATE     | APPROVED  |
|------|------|-----------------|----------|-----------|
|      | IR   | INITIAL RELEASE | 6/2/2010 | R.P.GROVE |

NOTES:

1. FOR USE WITH MIL-H-5606 HYDRAULIC FLUID.
2. MAX OPERATING PRESSURE IS 1200 PSI.
3. WEIGHT: .3LB



| ITEM NO. | QTY. | PART NO.    | DESCRIPTION        |
|----------|------|-------------|--------------------|
| 1        | 1    | 068-028     | ARM                |
| 2        | 1    | 068-021     | BODY               |
| 3        | 3    | MS28775-010 | O RING (BUNA N)    |
| 4        | 1    | 068-022     | CAM SHAFT          |
| 5        | 1    | N5100-37ZD  | EXT RETAINING RING |
| 6        | 2    | 068-027     | DOWEL PIN          |
| 7        | 2    | MS28775-006 | O RING (BUNA N)    |
| 8        | 2    | 068-023     | POPPET             |
| 9        | 2    | 068-025     | FITTING            |
| 10       | 2    | 36022G      | SPRING             |
| 11       | 2    | MS28775-012 | O RING (BUNA N)    |
| 12       | 1    | 068-024     | ARM (ALTERNATE)    |
| 13       | 1    | MS35338-43  | WASHER             |
| 14       | 1    | MS35207-260 | SCREW              |
| 15       | 2    | 068-016     | LABEL( FLOW )      |

**Grove**

Aircraft Landing Gear Systems inc.

1800 JOE CROSSON DRIVE, EL CAJON, CA 92020

ASSY, PARK BRAKE VALVE

INTERPRET GEOMETRIC TOLERANCING PER ANSI Y14.5M 1994  
 TOLERANCE  
 DECIMAL 0.XX= +/- .030  
 DECIMAL 0.XXX= +/- .010  
 DECIMAL 0.XXXX= +/- .005  
 ANGLE = 0.25 DEGREES

DRAWN BY  
J. WARWICK

DWG NO.  
068-004

REV  
IR

PART NUMBER:  
068-004

DATE 6/2/2010

WEIGHT: .3 LB

SCALE 2:3

SHEET 1 OF 1